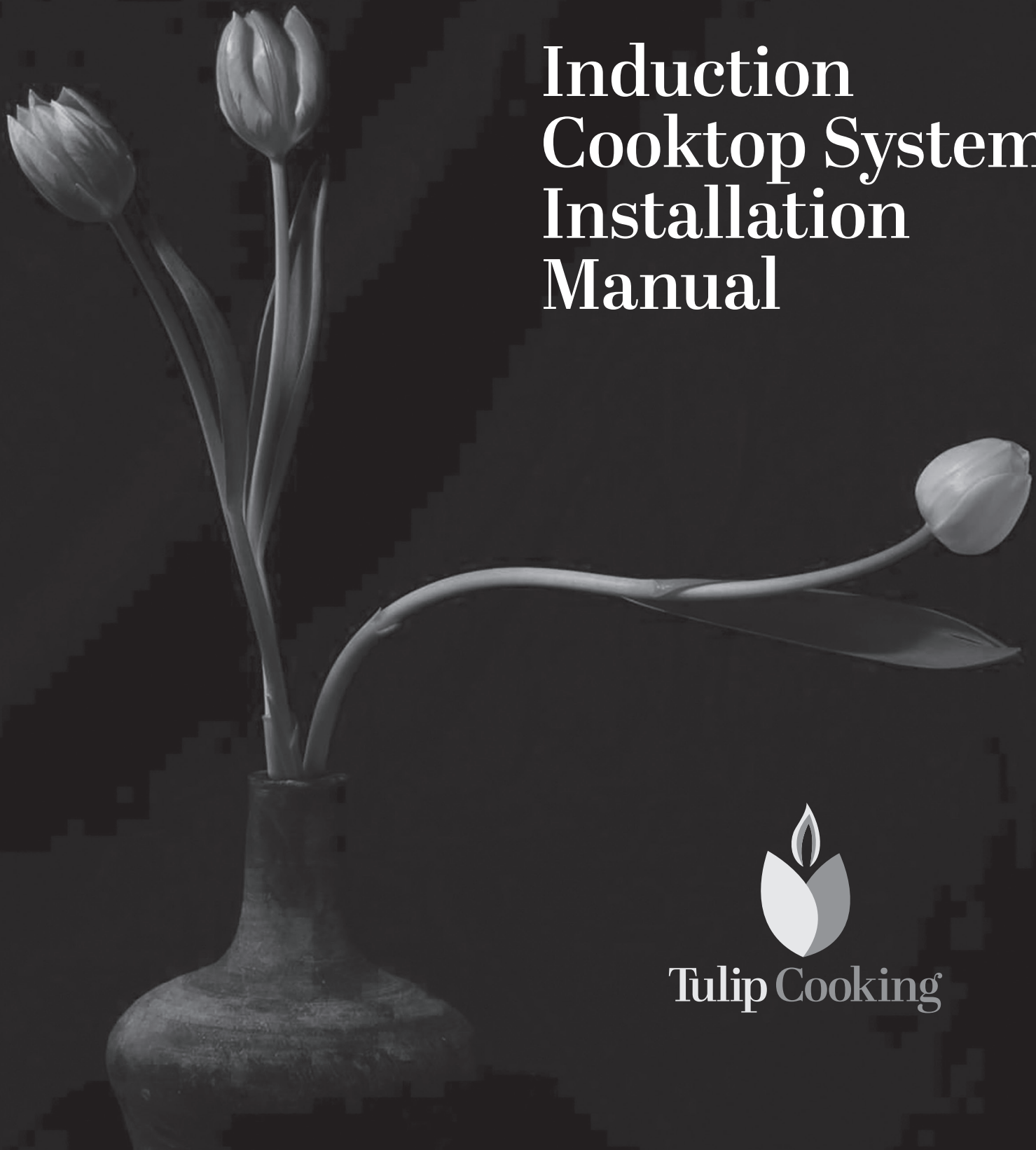


# Induction Cooktop System Installation Manual



Tulip Cooking

Before installing and using your Tulip Cooking induction cooktop, read this manual carefully for your own safety and to prevent damage to the cooktop unit and/or your kitchen.

**IMPORTANT: This unit is for residential use only. Installation and connection must be done by a licensed technician.** The manufacturer will not be held responsible for any damage caused by errors in installation or connection.

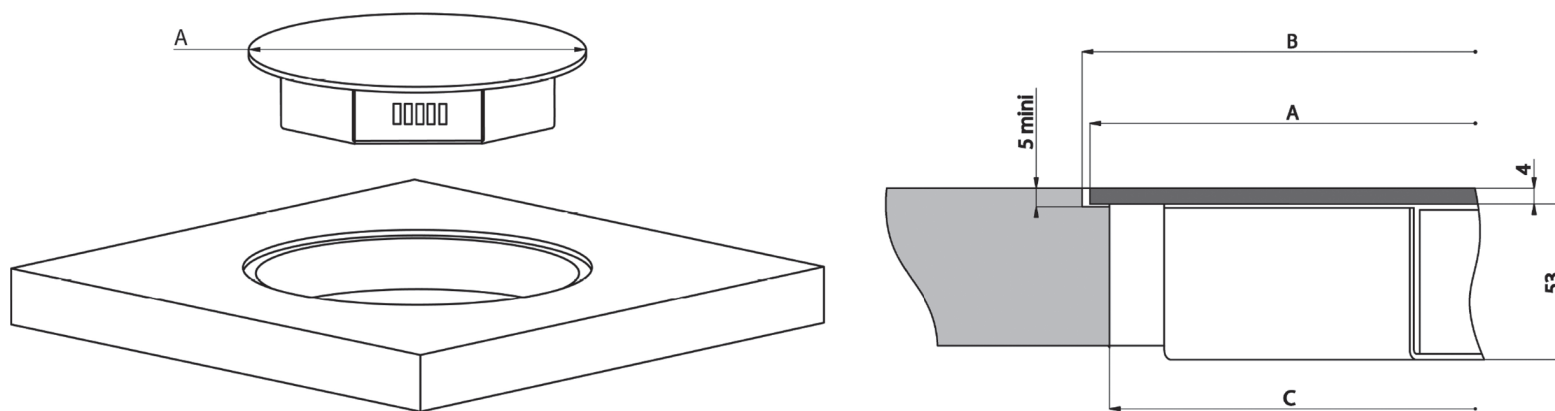
The unit must be installed in a suitable countertop material.

In order to accommodate service for your Tulip Cooking induction cooktop, the area above the cooktop (e.g., upper cabinets) and below (e.g., base cabinet and drawers) must remain freely accessible in accordance with the full width and depth of the cooktop unit. The cooktop must be removable from both underneath and in front.

## Table of Contents

Unit Dimensions	3
Multizone Installation Requirements	4
Connection of Cooking Zones	5
Configuring the Cooktop Unit	6
Electrical Connection Requirements	7
Connecting the Cooktop Unit	7

## Unit Dimensions



	Dimension	Heating zone		Finger touch
		5	7	C
Reference		1790-002	1790-003	1790-001
Dimension of glass	A	270mm	300mm	326 x 160 – R80
Diameter of the throat	B	274mm	304mm	330 x 164 – R82
Thickness of glass		4mm	4mm	4mm
Cut-out Dimension	C	254mm	284mm	314 x 150 – R75
Height total		57mm	57mm	35mm
Diameter of the inductor		160mm	200mm	
Power		1100W	2300W	
Booster f		2500W	3000W	

Dimensions of the technical box 1790-004 : 270x210x48

## Multizone Installation Requirements

**IMPORTANT: Installation and connection must be done by a licensed technician. The technician must follow local codes and regulations for installation and safety.**

Prior to installation, unpack all of the materials, and remove all labels and self-adhesives from the ceramic glass.

Do not modify the unit, as this will void the product warranty.

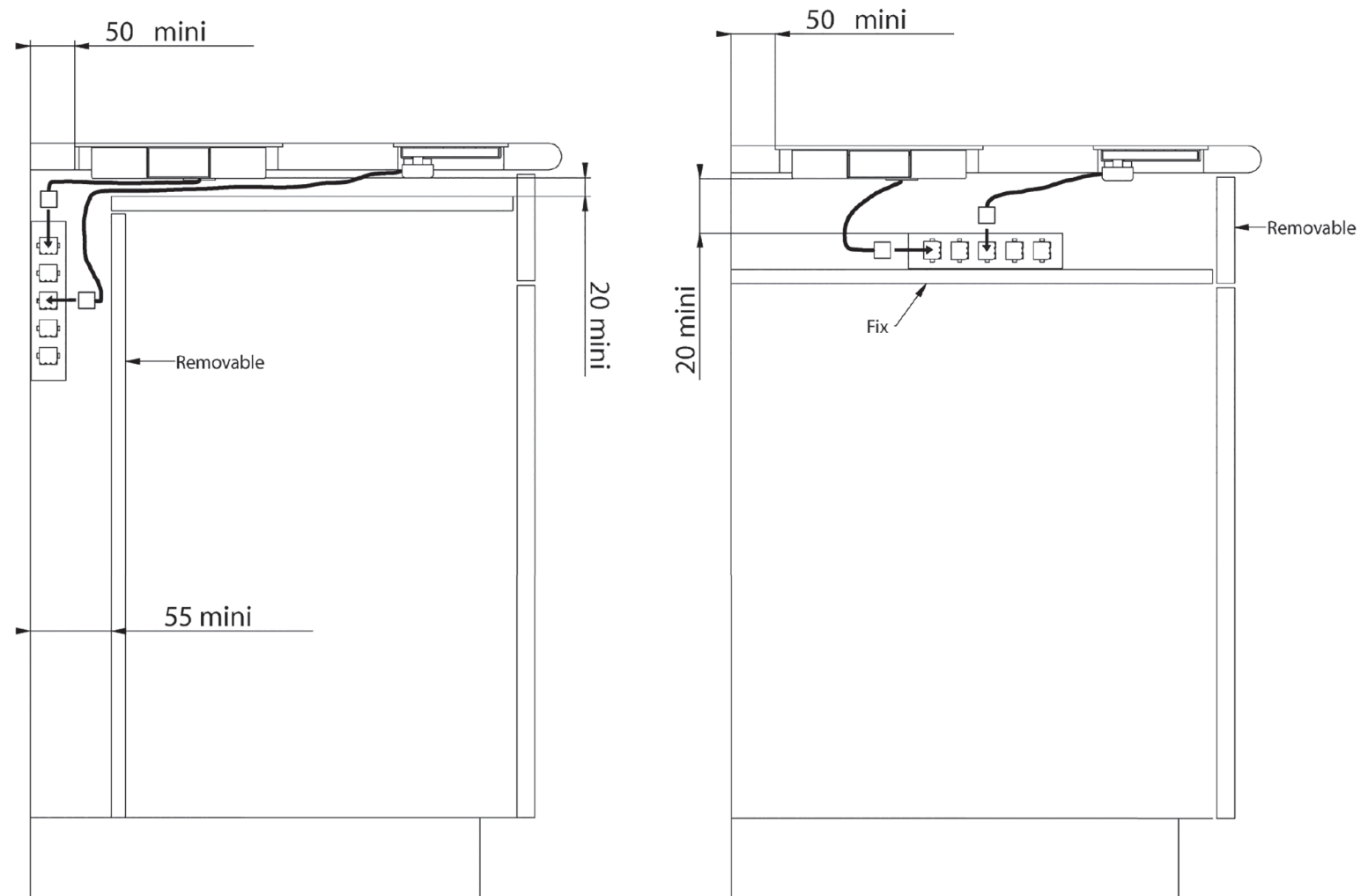
Neither the cooking zones nor the control panel should be used as a support surface or a worktop.

The unit must be grounded and connected to conform to local code.

Do not use an extension cable when connecting the unit.

The unit must not be installed above a dishwasher or a tumble-dryer, as the steam may damage the electronic components.

**IMPORTANT:** A gap of at least 20mm must be established in front of the cooling fan's air inlet, as the cooling system requires airflow for ventilation. (See diagram below.)



## Multizone Installation Requirements *(continued)*

Tulip Cooking induction cooktops are classified as “Y” class for heat protection. The countertop surface, the countertop edges, the laminate coatings, and the glue used to affix the cooktop must be able to withstand temperatures of up to 212°F (100°C).

It is acceptable to install the cooktop unit in a countertop that is positioned lengthwise against a wall. It is also acceptable to have a tall appliance or wall positioned next to one of the countertop’s short sides; **however, on the opposite side, no appliance or wall may stand higher than the countertop.**

In all cases, the cooktop must be installed with a minimum distance of 2” (50mm) from all sides of the unit to any wall or appliance. See diagram on page 4.

To protect the edges of the countertop cut-outs, your countertop fabricator must seal the countertop once it is cut.

Care must be taken when applying the adhesive joint supplied with the unit to prevent any leakage into the countertop. This gasket ensures a correct seal when used in conjunction with a smooth countertop surface.

A hood should be installed in conjunction with the cooktop. Please check with your local municipality for proper codes and regulations.

After installation, the connection cords should be free from obstruction, with no mechanical constraint or twisting.

## Connection of Cooking Zones

**IMPORTANT: Connection to the electrical network should be done by a licensed electrician.**

The connectors for the cooking zones are identified by stickers with classifications from 5 to 8:

**5** – Heating Zone 1100 W / Glass diameter 270mm

**7** – Heating Zone 2300 W / Glass diameter 300mm

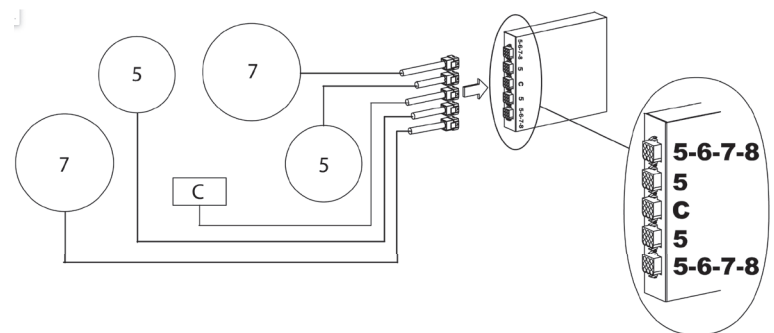
The touchpad electronic control panel is identified by “C” on the connector.

On the technical box, near the female connectors, are the labels 5-6-7-8-C.

Connect the touchpad electronic control panel to the “C” port on the technical box.

Connect each heating zone to its corresponding numbered port on the technical box. For easiest connection, start with the highest numbered heating zone, and continue in reverse numeric order to the lowest number.

Example:



**IMPORTANT: Do not lengthen or shorten the wire for any cooking zone, as this will void the product warranty. Tulip Cooking will not be held responsible for any damage, malfunction, or hazard caused by a wiring change done by the customer.**

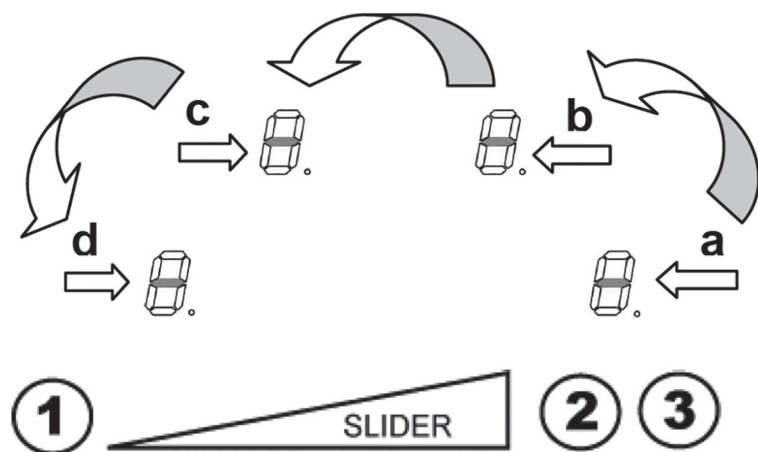
## Configuring the Cooktop Unit

**IMPORTANT: Before starting the configuration process, ensure there are no pots sitting on the cooktop.**

Please note that during the configuration process, the control panel will be completely dark (unlit). A flashlight may be required for clear viewing of panel information.

### Step 1: Prepare the unit for configuration.

- Select and set aside a pot with a ferromagnetic bottom and a minimum diameter of 6.3" (16cm). Be sure to fill the pot partially with water; it is a safety hazard to heat an empty pot.
- Disconnect the unit from the electrical supply by removing the fuse or turning off the circuit breaker.
- Reconnect to the electrical supply.
- Start the configuration procedure within 2 minutes after reconnecting the unit.
- Do not use the on/off button [ O/I ] on the control panel during the configuration process.



### Step 2: Cancel the default configuration.

- Press and hold button 2. The symbol [ – ] will appear on each display.
- With your other hand, press quickly and successively (less than 2 seconds) on each [ – ] display. Begin at the front right and continue counterclockwise, as shown in the diagram below left (a > b > c > d). If you hear a double “beep” sound, an error has occurred and you must start the process again from the beginning. (See Step 1.)
- Remove your fingers from the touch control, then press and hold button 1 for a few seconds, until blinking [ E ] symbols appear.
- Wait until [ E ] symbols stop blinking. After few seconds, the [ E ] symbol changes to [ C ], which means the existing setup has been cancelled.

### Step 3: Create a new setup.

- Select a cooking zone by pressing the corresponding [ C ] display.
- Place a pot on the zone to be set; the pot must be filled partially with water, and must have a ferromagnetic bottom and a minimum diameter of 6.3" (16cm). Be sure to use the same pot for the entire process, moving it from zone to zone. *Never place several pots together on the zones during the setup process.*
- Wait until the [ C ] display changes to [ – ]. The selected cooking zone is now configured.
- Follow the same procedure for each cooking zone using the [ C ] displays.
- Once all the displays have turned off, all cooking zones have been configured.

If you see an error symbol [ E4 ], reconfigure the control unit. If the error symbol persists, please contact Tulip Cooking at [www.tulipcooking.com/service](http://www.tulipcooking.com/service).

## Electrical Connection Requirements

**IMPORTANT: Connection to the electrical network should be done only by a licensed electrician.**

Protection for parts under tension must be ensured after installation.

Connection instructions are found on the stickers placed on the unit casing near the connection box.

Connection to the main must be made using a grounded plug or via an omnipolar circuit breaking device with a contact opening of at least 0.12" (3mm).

The electrical circuit must be separated from the network by adapted devices, e.g., circuit breakers, fuses, or contactors.

## Connecting the Cooktop Unit

For the various types of connections, use the brass bridges found in the box next to the terminal.



**CAUTION: Always connect to a grounded wire.**

Refer to the connection specifications at the top right of this page.

This device is intended for a supply of 230 V ~ 60Hz.

The connection box is located underneath the unit casing at the rear. To open the cover, use a medium standard screwdriver. Place it in the slots and open the cover.

**Country:** USA, Canada

**Mains:** 230V~1P+N 60Hz

**Connection:** 1 Phase + N

**Cable Diameter:** 3 x 2.5mm<sup>2</sup>

**Cable:** H 05 VV - F / H 05 RR - F

**Protection caliber:** 30 A

**IMPORTANT:** Do not extend or shorten any wire for the cooking zones (5/6/7/8); see page 5 for details. Only the wire for the control panel (C) may be extended. For more information, please contact Tulip Cooking.

**Monophase 230V~1P+N:** Place the first bridge between terminal 1 and 2, and the second between 3 and 4. Attach the ground to the Earth terminal (globe symbol), the neutral N to terminal 3 or 4, and the Phase L to either terminal 1 or 2.



**CAUTION: Be sure that cables are properly engaged and tightened. Tulip Cooking will not be held responsible for any damage, malfunction, or hazard resulting from incorrect connection or which could arise from the use of a unit that has not been grounded properly or has been equipped with a faulty ground connection.**



**Tulip** Cooking

[www.tulipcooking.com](http://www.tulipcooking.com)

**USA**

Tulip Cooking  
209 River Road Extension  
Cos Cob, CT 06807  
203-900-1124

[info@tulipcooking.com](mailto:info@tulipcooking.com)

**Canada**

Better Distribution  
111 Oakdale Road  
North York, ON M3N 1W2  
905-264-9414

[sales@betterdistribution.ca](mailto:sales@betterdistribution.ca)